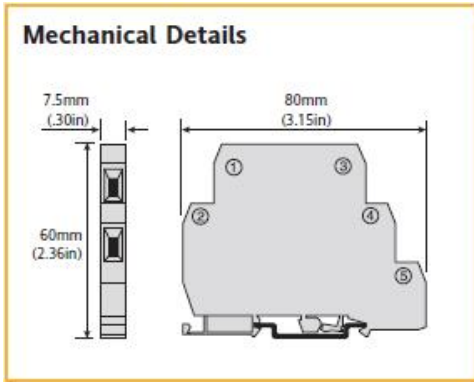


# DIN Rail Mounted Mini Input/Output Modules – IO Series

The IO Series Of Mini Input/Output Modules Provide A High Density, DIN Rail Mountable Device For Low Power Heating Loads Or Conversion Of Ac Or Dc Control Logic Levels To A Low Level Dc Signal.



## IDEAL FOR:

- Industrial and commercial ovens
- Injection molding machines
- Induction Furnaces
- Solenoid/Valve Drivers
- Semiconductor manufacturing equipment
- Food processing
- Motor Controls
- ATM Machines
- Battery Chargers
- Mercury Relay Replacements

## FEATURES:

- 3 amps 12–280V ac
- High density design
- AC and DC inputs
- AC and DC outputs
- Positive and negative logic
- Single phase zero crossing
- LED logic indicator
- Output modules internally fused
- Optically isolated
- 4000 VRMS isolation on all model number:
- CE compliant
- UL recognized
- CSA certified

## Specifications

### Input Modules

	IO-IAC/-RO/280	IO-IAC/+RO/280
YELLOW CASE		
Output Voltage Range:	4–28V dc	4–28V dc
Max Load Current:	100mA	100mA
Turn On Time:	20ms max	20ms max
Turn Off Time:	20ms max	20ms max
Input Voltage:	90–280V ac	90–280V ac
Logic Type:	Negative	Positive

WHITE CASE	IO-IDC/-RO/280	IO-IDC/+RO/280
Output Voltage Range:	4-28V dc	4-28V dc
Max Load Current:	100mA	100mA
Turn On Time:	30µs max	30µs max
Turn Off Time:	60µs max	60µs max
Input Voltage:	4-28V dc	4-28V dc
Logic Type:	Negative	Positive

### Output Modules

<b>BLACK CASE</b>	IO-OAC/RO/280	IO-OAC/RA/280
Input Voltage Range:	4-28V dc	90-280V ac
Logic Input Impedence:	1,500ohms	40,000ohms
Output Voltage Range:	12-280V ac	12-280V ac
Output Current Range:	.10-3ARMS @ 40°C <sup>(1)</sup>	.10-3ARMS @ 40°C <sup>(1)</sup>
Leakage Current:	5mA @ field voltage	5mA @ field voltage

RED CASE	IO-ODC/RO/060 <sup>(2)</sup>	IO-ODC/RL/060 <sup>(3)</sup>
Input Voltage Range:	4-28V dc	4-28V dc
Logic Input Impedence:	1,500ohms	1,500ohms
Output Voltage Range:	5-60V dc	5-60V dc
Output Current Range:	0-3ARMS @ 40°C <sup>(1)</sup>	0-3ARMS @ 40°C <sup>(1)</sup>
Leakage Current:	1mA @ max field voltage	100µA @ max field voltage

### Notes

<sup>(1)</sup> The 3 amp output is obtained when there is <40°C ambient air surrounding all sides of the module. Derate the output if the ambient temperature is higher or if the modules are tightly stacked together.

<sup>(2)</sup> Turn On Time - 40µs, Turn Off Time - 40µs

<sup>(3)</sup> Turn On Time - 50µs, Turn Off Time - 100µs